



SHANDONG TIANZHAN FITNESS EQUIPMENT CO., LTD

A brand that has endured people from 15 years to lead healthy and active lives.

TZ-Q1001A/B

Multi-Functional Smith Machine

Machine Size : 1750*2100*2320mm

Package : Carton

Packing Size :

Carton 1: 2200x325x130mm

Carton 2: 1730x610x220mm

Carton 3: 2200x325x120mm

Carton 4:

Q1001A: 430*400*160mm(Weight stack)

Q1001B: 430*400*190mm(Weight stack)

N.W. :

Q1001A: 224kg+60kgx2(Weight Stack)=344kg

Q1001B: 224kg+100kgx2(Weight Stack)=424kg

G.W. :

Q1001A: 379kg Q1001B: 459kg



**TZ-Q Series Multi-Functional Smith
Machine & Bench & Racks & Attachments**



TZ-Q1002

Multi-Functional Smith Machine

Machine Size : 1750*2100*2320mm
 N.W. : 235kg
 G.W. : 270kg
 Package : Carton
 Packing Size :
 Carton 1: 2220*345*140mm
 Carton 2: 1750*630*130mm
 Carton 3: 2220*345*130mm



TZ-Q1003

Workbench Multi-system

Machine Size : 1500*1500*2250mm
 N.W. : 72kg
 G.W. : 74kg
 Package : Carton
 Packing Size : 1440*790*250mm



TZ-Q1004

Multi-Functional Bench

Machine Size : 2800*1450*(1400~1950) mm
 N.W. : 122kg
 G.W. : 128kg
 Package : Carton
 Packing Size:
 Carton 1: 1520*670*200mm
 Carton 2: 1270*530*250mm



TZ-Q1005

Multi GYM 3 Station

Machine Size : 2900*2280*1800mm
 N.W. : 197kg
 G.W. : 202kg
 Package : Carton
 Packing Size :
 Carton 1: 1520*750*260mm
 Carton 2: 1480*430*250mm
 Carton 3: 1800*920*160mm



TZ-Q1006A/B

Multi-Functional Smith Machine

Machine Size : 1400*2100*2280mm
 N.W. :
 Q1006A:205kg+60kgx2(Weight Stack)=325kg
 Q1006B:205kg+100kgx2(Weight Stack)=405kg
 G.W. :
 Q1006A: 360kg
 Q1006B: 440kg
 Package : Plywood Box + Carton
 Plywood Box: 2200*860*270mm
 Carton:
 Q1006A: 430*400*160mm(weight stack)
 Q1006B: 430*400*190mm(weight stack)



TZ-Q1007

Multi-Functional Smith Machine

Machine Size : 1885*2070*2255mm
 N.W. : 210kg
 G.W. : 234kg
 Package : Carton
 Packing Size :
 Carton 1: 2180*540*145mm
 Carton 2: 1300*490*200mm
 Carton 3: 1240*290*145mm
 Carton 4: 820*740*260mm



TZ-Q1008A/B

Multi-Functional Smith Machine

Machine Size : 1925*2050*2260mm
 N.W. :
 Q1008A: 320kg+60kgx2(Weight Stack)=440kg
 Q1008B: 320kg+100kgx2(Weight Stack)=520kg
 G.W. : Q1008A: 462kg/Q1008B: 542kg
 Package : Carton
 Packing Size :
 Carton 1: 2200*310*200mm
 Carton 2: 1460*600*230mm
 Carton 3: 1100*550*290mm
 Carton 4:
 Q1008A: 430*400*160mm(Weight stack)
 Q1008B: 430*400*190mm(Weight stack)



TZ-Q1009A/B

Multi-Functional Smith Machine

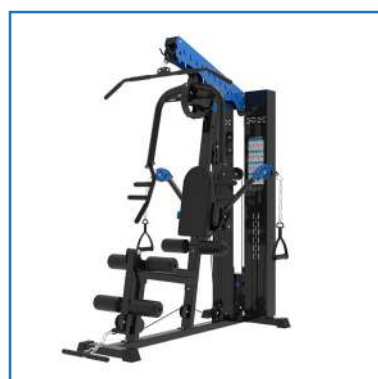
Machine Size : 1700*2200*2230mm
 N.W. :
 Q1009A: 195kg+60kgx2(Weight Stack)=315kg
 Q1009B: 195kg+100kgx2(Weight Stack)=395kg
 G.W. :
 Q1009A: 355kg
 Q1009B: 435kg
 Package : Plywood Box
 Packing Size : 2200*600*320mm



TZ-Q1009C

Multi-Functional Smith Machine

Machine Size : 1700*2200*2230mm
 N.W. : 195+15=210kg
 Package : Plywood Box
 Packing Size : 2200*600*320mm



TZ-Q1010

Multi Gym Single Station

Machine Size : 1580*1100*2050mm
 N.W. : 105kg+80kg(weight stack)=185kg
 G.W. : 205kg
 Package : Plywood Box
 Packing Size : 1820*870*290mm



TZ-Q1011

Multi Gym 3 Station

Machine Size : 1920*2530*2050mm
N.W. : 125kg+80kg(weight stack)=205kg
G.W. : 225kg
Package : Plywood Box
Packing Size : 1820*580*350mm



TZ-Q1013

Multi Gym Single Station

Machine Size : 1820*1750*2050mm
N.W. : 155kg+80kg(weight stack)=235kg
G.W. : 265kg
Package : Plywood Box
Packing Size : 1820*860*350mm



TZ-Q1014

Half Rack

Machine Size : 1430*1300*2420mm
N.W. : 104kg
G.W. : 113kg
Package : Carton
Packing Size : 2380*490*190mm



TZ-Q1015

Half Rack

Machine Size : 1170*1980*2260mm
N.W. : 60kg
G.W. : 67kg
Package : Carton
Packing Size : 2230*615*205mm



TZ-Q1016

Multi Gym 4 Station

Machine Size : 2350*2140*2230mm
N.W. :
170kg+90kg(weight stack) =260kg
G.W. : 295kg
Package : Plywood Box + Carton
Packing Size :
Plywood Box: 2200*580*470mm
Carton: 400*270*150mm(Weight stack)



TZ-Q1017

Multi-Functional Smith Machine

Machine Size : 1500*1920*2200mm
N.W. : 210kg
G.W. : 230kg
Package : Carton
Packing Size : 2200*600*350mm



TZ-Q1018

Dual Adjustable Pulley System

Machine Size : 1040*1580*2100mm
N.W. : 103+90kgx2(weight stack) =283kg
G.W. : 302kg
Package : Carton
Packing Size :
Carton 1: 2100*370*160mm
Carton 2: 1100*550*270mm
Carton 3: 400*270*270mm(Weight stack)



TZ-Q1019

Multi-Functional Smith Machine

Machine Size : 1500*1920*2200mm
N.W. : 198kg+100kg(weight stack) =298kg
G.W. : 320kg
Package : Carton
Packing Size :
Carton 1: 2200*600*350mm
Carton 2: 400*270*150mm(Weight stack)



TZ-Q1020B

Adjustable Bench (-15 degree to 85 degree)

Machine Size : 1350*540*(470~1300)mm
N.W. : 21kg
G.W. : 23kg
Package : Carton
Packing Size : 1300*435*185mm



TZ-Q1020C

Adjustable Bench (-15 degree to 85 degree)

Machine Size : 1350*540*(470~1300)mm
N.W. : 21kg
G.W. : 23kg
Package : Carton
Packing Size : 1300*435*185mm



TZ-Q1021

Multi-Functional Bench

(-15 degree to 85 degree)

Machine Size : 1850*690*(800~1300) mm
N.W. : 50kg
G.W. : 52kg
Package : Carton
Packing Size : 1270*530*250mm



TZ-Q1022

Multi-Functional Bench

(-15 degree to 85 degree)

Machine Size : 1850*690*(800~1300) mm
N.W. : 43kg
G.W. : 45kg
Package : Carton
Packing Size : 1270*530*240mm



TZ-Q1023

Adjustable Bench

(-15 degree to 85 degree)

Machine Size : 1200*540*(470~1220)mm
N.W. : 20kg
G.W. : 22kg
Package : Carton
Packing Size : 1100*455*145mm



TZ-Q1024

Multi-Functional Bench

(-15 degree to 85 degree)

Machine Size : 1420*610* (510—1150) mm
N.W. : 32kg
G.W. : 36kg
Package: Carton
Packing Size :
Carton 1: 2220*345*140mm
Carton 2: 1750*630*130mm
Carton 3: 2220*345*130mm
Carton 4: 1350*450*250mm



TZ-Q1024A

Leg Extension & Leg Curl Attachment

Machine Size : 570*525*498mm
N.W. : 10kg G.W. : 11kg
Package : Carton
Packing Size : 610*540*100mm



TZ-Q1024B

Leg Extension & Leg Curl Attachment

Machine Size : 680*510*750mm
N.W. : 10kg G.W. : 11kg
Package : Carton
Packing Size : 680*330*155mm



TZ-Q1024C

Leg Extension & Leg Curl Attachment

Machine Size : 800*1100*530mm
N.W. : 19kg G.W. : 20kg
Package : Carton
Packing Size : 570*510*150mm



TZ-Q1024D

Leg Extension & Leg Curl Attachment

Machine Size : 600*460*500mm
N.W. : 8kg G.W. : 9kg
Package : Carton
Packing Size : 540*510*100mm



TZ-Q1025

Multi-Functional Dumbbell Training Box(Bench)

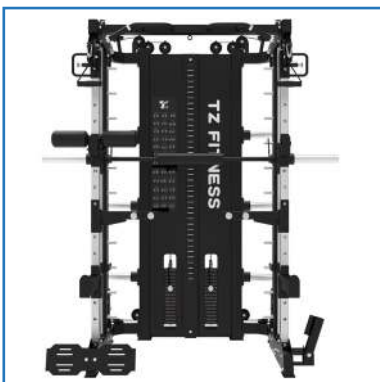
Machine Size : 1300*380*(505-1350) mm
N.W. : 51kg
G.W. : 54kg
Package : Carton
Packing Size : 1320*400*525mm



TZ-Q1027

Multi-Functional Trainer

Machine Size : 920*1370*2150mm
N.W. : 119kg+90kg(weight stack) =209kg
G.W. : 225kg
Package : Carton
Packing Size :
Carton 1: 2100*600*170mm
Carton 2: 1400*950*350mm
Carton 3: 2100*160*100mm
Carton 4: 400*270*270mm(Weight stack)



TZ-Q1028

Multi-Functional Smith Machine

Machine Size : 1400*1220*2250 mm
Machine Weight:405 kg
Weight Stack: 72 kg*2



TZ-Q1028-2

Multi-Functional Smith Machine

Machine Size : 1965*2250*1935mm
Machine Weight:260 kg



TZ-Q1031

Multi-Functional Squat Power Rack

Machine Size : 1520*1800*2330mm
 N.W. :
 223kg+100kgx2(weight stack) =423kg
 G.W. : 445kg
 Package : Carton
 Packing Size :
 Carton 1: 2330*420*85mm
 Carton 2: 1850*470*115mm
 Carton 3: 800*470*250mm
 Carton 4: 1100*500*310mm
 Carton 5: 430*400*190mm(Weight stack)



TZ-Q1032-1

Multi Squat Power Rack With Weight Platform

Machine Size : 1750*2100*2320mm
 N.W. : 235kg
 G.W. : 270kg
 Package: Carton
 Packing Size :
 Carton 1: 2220*345*140mm
 Carton 2: 1750*630*130mm
 Carton 3: 2220*345*130mm



TZ-Q1032

Multi Squat Power Rack

Machine Size : 1940*1800*2300mm
 N.W. : 228kg
 G.W. : 243kg
 Package : Carton
 Packing Size :
 Carton 1: 2330*450*160mm
 Carton 2: 1250*500*180mm
 Carton 3: 950*450*220 mm



TZ-Q1033

Pull-Up Bar Connector

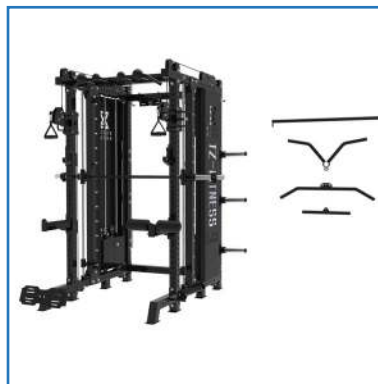
Machine Size : 1600*225*160mm
 N.W. : 14kg
 G.W. : 16kg
 Package : Carton
 Packing Size : 1600*190*80mm
 Match for: Q1031/Q1032/Q1035/Q1037



TZ-Q1034

FID ADJUSTABLE BENCH

(-12 degree to 85 degree)
 Machine Size : 1330*625*(480-1325)mm
 N.W. : 42.5kg
 G.W. : 45kg
 Package : Carton
 Packing Size :
 Carton 1:1190*480*215mm
 Carton 2:1850*470*115mm



TZ-Q1035

Multi-Functional Smith Machine

Machine Size : 1680*1940*2318mm
 N.W. : 305kg+100kgx2(weight stack) =505kg
 G.W. : 530kg
 Package : Carton
 Packing Size :
 Carton 1: 2020*470*115mm
 Carton 2: 2330*290*160mm
 Carton 3: 2050*420*160mm
 Carton 4: 1150*420*180mm
 Carton 5:1000*450*300mm
 Carton 6: 430*400*190mm(Weight stack)



TZ-Q1035-2

Multi-Functional Smith Machine

Machine Size : 1689*1802*2318mm
 N.W. : 310KG+100KG*2
 G.W.: 570KG
 Package : plywood box
 Packing Size :2300*670*430mm



TZ-Q1036

Lat/Low Row Attachment

Machine Size : 740*580*2330mm
 N.W. : 28kg
 G.W. : 31kg
 Package : Carton
 Packing Size :
 Carton 1: 1000*400*165mm
 Carton 2: 1850*50*50mm
 Match for: Q1031/Q1032/Q1035/Q1037



TZ-Q1037

Multi Squat Power Cage

Machine Size : 1000*1240*2270mm
 N.W. : 125kg
 G.W. : 130kg
 Package : Carton
 Packing Size :
 Carton 1: 2320*320*180mm
 Carton 2: 1140*300*270mm



TZ-Q1038A/B/C

Fold Back Wall Mount Rack

Machine Size :
 A: 440/B: 760/C: 1260*1500*2300mm
 N.W. : A: 62kg B: 70kg C: 80kg
 G.W. : A: 65kg B: 73kg C: 84kg
 Package : Carton
 Packing Size :
 A&B: 2300*260*120mm
 C: 2300*310*120mm



TZ-Q1040

Individual Squat Stands

Machine Size : 670*510*1835mm
N.W. : 47kg
G.W. : 50kg
Package : Carton
Packing Size : 1790*430*140mm



TZ-Q1041

Power Rack

Machine Size : 1230*1800*2300mm
N.W. : 158kg
G.W. : 170kg
Package : Carton
Packing Size :
Carton 1: 2300*300*160mm
Carton 2: 1150*350*250mm



TZ-Q1046

Olympic Competition Bench Press

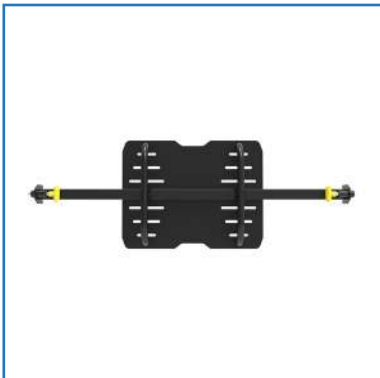
Machine Size :
1400*1230*(1020~1260) mm
N.W. : 46kg
G.W. : 50kg
Package : Carton
Packing Size : 1300*850*400mm



TZ-Q1048

Wall Mounted Space Saving Power Rack

Machine Size : 1314*1110*2600mm
N.W. : 56kg
G.W. : 59kg
Package : Carton
Packing Size : 2370*400*230mm



TZ-Q1052 & TZ-Q1064

Leg Press Attachment

Machine Size : 1140*398mm
platform : 520*398mm
N.W. : 10kg
G.W. : 11kg
Package : Carton
Packing Size : 1180*400*105mm
TZ-Q1052 Match for:
Q1001/Q1002/Q1006/Q1007/Q1008/
Q1009
TZ-Q1064 Match for:
Q1017/Q1019/Q1031/Q1035



TZ-Q1053

Leverage Attachment

Arm : 1200*50mm
Joint Lever : 1220mm
N.W. : 18kg
G.W. : 19kg
Package : Carton
Packing Size : 1350*220*135mm
Match for:
Q1001/Q1002/Q1006/Q1007/Q1008/
Q1009



TZ-Q1055

Dip Handle Attachment

Machine Size : 640*610*80mm
N.W. : 5kg
G.W. : 5.5kg
Package : Carton
Packing Size : 660*630*100mm
Match for:
Q1031 /Q1032/Q1035/Q1037/Q1038/
Q1040



TZ-Q1051 & TZ-Q1056

Lat Pull Down Seat Attachment

Machine Size : 770*500*415mm
N.W. : 10kg
G.W. : 11kg
Package : Carton
Packing Size : 790*320*150mm
TZ-Q1051 Match for:
Q1001/Q1002/Q1006/Q1007/Q1008/
Q1009
TZ-Q1056 Match for:
Q1031/Q1035



TZ-Q1057

Monolift System

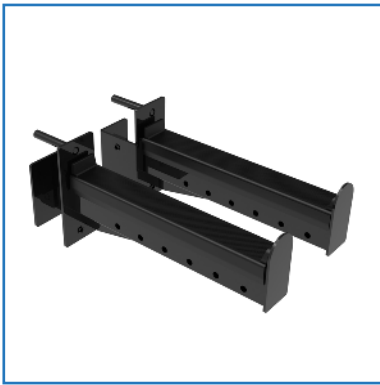
Machine Size : 620*440*80mm
N.W. : 16kg
G.W. : 16.5kg
Package : Carton
Packing Size : 650*470*100mm
Match for:
Q1031/Q1032/Q1035/Q1037/Q1038/
Q1040



TZ-Q1058

Multi Grip Chin-Up Bar

Machine Size : 1080*250*120mm
N.W. : 6kg
G.W. : 7kg
Package : Carton
Packing Size : 1110*280*140mm
Match for: Q1032/Q1037



TZ-Q1059

Safety Support Bar

Machine Size : 500*200*90mm
 N.W. : 7kg
 G.W. : 8kg
 Package : Carton
 Packing Size : 530*230*200mm
 Match for:
 Q1031/Q1032/Q1035/Q1037/Q1038/
 Q1040



TZ-Q1060

J-Hooks Attachment

Machine Size : 210*200*90mm
 N.W. : 5.2kg
 G.W. : 5.5kg
 Package : Carton
 Packing Size : 360*270*110mm
 Match for:
 Q1031/Q1032/Q1035/Q1037/Q1038/
 Q1040



TZ-Q1061

Landmine

Machine Size : 260*135*110mm
 N.W. : 3kg
 G.W. : 3.2kg
 Package : Carton
 Packing Size : 290*165*130mm
 Match for:
 Q1031 /Q1032/Q1035/Q1037/Q1038



TZ-Q1062

Chest Press Attachment

Machine Size : 1200*1830*190mm
 N.W. : 27kg
 G.W. : 30kg
 Package : Carton
 Packing Size : 1250*320*160mm
 Match for:
 Q1031 /Q1032/Q1035/Q1037/Q1038



TZ-Q1063

Support Feet Attachment

Machine Size : 470*225*80mm
 N.W. : 7kg
 G.W. : 8kg
 Package : Carton
 Packing Size : 510*400*100mm
 Match for: Q1037/Q1038



TZ-Q1067

Muscle Squat Rack

Machine Size : 1710*1165*2135mm
 N.W. : 235kg
 G.W. : 270kg
 Package: Carton
 Packing Size :
 Carton 1: 2220*345*140mm
 Carton 2: 1750*630*130mm
 Carton 3: 2220*345*130mm



TZ-Q1070

Fid Adjustablebench

(-12 degreeeto 85 degree)

Machine Size :
 1600*625* (480-1325)
 N.W. : 48kg
 G.W. :51kg



TZ-Q1071

Multi-Functional Smith Machine

Machine Size : 820*220*1986mm
 N.W. : 150kg
 G.W. :170kg
 Package: Carton
 Packing Size :
 Carton 1: 2220*345*140mm
 Carton 2: 1750*630*130mm
 Carton 3: 2220*345*130mm



TZ-Q1073

Multi-Functional Smith Machine

Machine Size : 1890*1970*2137mm
 N.W. : 178KG
 G.W. : 238KG
 Packing Size : 2100*620*500mm



TZ-Q1076

Multi-Functional Power Rack

Machine Size : 2120*2441*2285mm
 N.W. : 392.6KG+100KG*2
 G.W. : 653KG
 Packing Size : 2100*820*400mm



TZ-Q1078A

Multifunctional training stand

Machine Size : 1805*1858*2240mm
N.W. : 198KG
G.W.: 258KG
Packing Size : 2200*720*400mm



TZ-Q1079

Multi-Functional Smith Machine

Machine Size :2210*1741*2069mm
N.W. : 183KG+100KG*2
G.W. : 443KG
Packing Size : 2120*1100*350mm



TZ-Q1080

Multi-Functional Smith Machine

Machine Size :1655*1945*2190mm
N.W. : 200KG+100KG*2
G.W.: 460KG
Packing Size : 2050*650*350mm



TZ-Q1081

Multi-Functional Smith Machine

Machine Size : 2265*1796*2132mm
N.W. : 272KG+80KG*2
G.W.: 492KG
Package : plywood box
Packing Size : 2250*650*320mm



TZ-Q1082

Chest Press Attachment

Machine Size : 1750*2100*2320mm
N.W. : 235kg
G.W. : 270kg
Package: Carton
Packing Size :
Carton 1: 2220*345*140mm
Carton 2: 1750*630*130mm
Carton 3: 2220*345*130mm

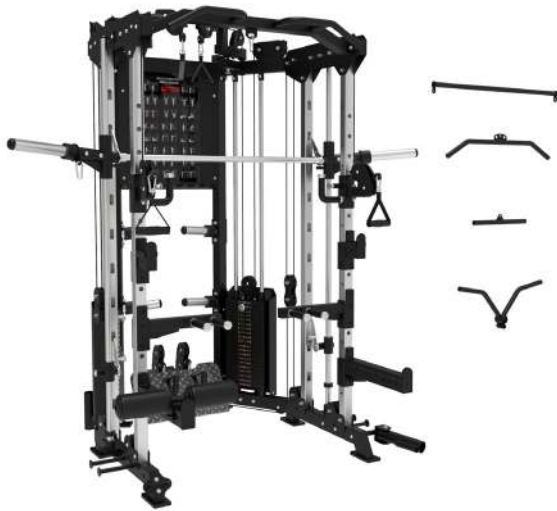


TZ-Q1090

Multi-Functional Smith Machine

Machine Size : 2162*1930*2083mm
N.W. : 278KG+100KG*2
G.W.: 538KG
Packing Size : 2100*1560*320mm





TZ-Q1104

Multi-Functional Smith Machine

Machine Size :2210*1741*2069mm

N.W. : 183KG+100KG*2

G.W. : 443KG

Packing Size : 2120*1100*350mm



TZ-Q1105

Dual Adjustable Pulley System Plate Loaded

Machine Weight:105.5kg

Machine Size:

2148*1022.5*1625mm



TZ-Q1106

Workbench Roller Smith

Machine Weight:92kg

Machine Size:

2068.5*2118*1075mm

TZ-Q1107

Compact Leg Press

Machine Weight:125kg

Machine Size:1500*1440*1280mm

